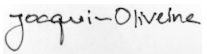

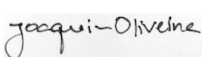


# ***DFDL4S library***

## **Developer's Manual**

**Code :** S2G-DME-TEC-SUM078  
**Issue :** 1.G  
**Date :** 23/03/2018

	<b>Name</b>	<b>Function</b>	<b>Signature</b>
<b>Prepared by</b>	Joaquim Oliveira	Project Manager	
<b>Reviewed by</b>	Antonio Gutiérrez	Technical Consultant	
<b>Approved by</b>	Joaquim Oliveira	Project Manager	
<b>Signatures and approvals on original</b>			

DEIMOS Engenharia S.A.  
Av. D. João II, Lote 1.17.01, Edifício Torre Zen, 10º  
1998-023 Lisboa, PORTUGAL  
Tel.: +351 21 893 3010 / Fax: +351 21 896 9099  
E-mail: deimos@deimos.com.pt

This page intentionally left blank

## Document Information

Contract Data	
Contract Number:	4000104594/11/NL/CT/ef
Contract Issuer:	ESA/ESTEC

Internal Distribution		
Name	Unit	Copies
Internal Confidentiality Level (DME-COV-POL05)		
Unclassified <input type="checkbox"/>	Restricted <input checked="" type="checkbox"/>	Confidential <input type="checkbox"/>

External Distribution		
Name	Organisation	Copies
Free for distribution	-	-

Archiving	
Word Processor:	MS Word 2000
File Name:	S2G-DME-TEC-SUM078-1G.docx

## Document Change Log

Issue	Change description	Date	Pages Affected
1.A	First issue of the document.	05/12/2014	All
1.B	Updated according to ESA review comments.	15/01/2015	§2.2, §3.1.1, §4.2 and Appendix A
1.C	Documented the differences between DFDL properties and DMX properties.	06/03/2015	§3.1.1
1.D	Updated to reflect: (a) added API for DFDL creation capability; (b) re-organization of the deployment package.	11/11/2015	§3.3, §4.2.2, §4.3, §4.4
1.E	Chapter 6 added. Chapter 7 added. (DFDL4S-AN-176a8 - discriminator expressions described; DFDL4S-AN-176a10 - in and inrange described; DFDL4S-AN-176a11 - dfdl:contentLength path argument described). Appendix A improved and updated. (DFDL4S-AN-176a3 - supported DFDL types mentioned; DFDL4S-AN-176a6 and DFDL4S-AN-176a7 - supported values, including for dfdl:encoding, added) References updated.	15/04/2016	Chapter 6, Chapter 7,  Appendix A,  Table 2
1.F	Chapter 4 updated: <ul style="list-style-type: none"> <li>1. Changed Figure 4-3, 4-4 and 4-5 to Figure 3, 4 and 5</li> <li>2. Updated Figure 3 with updated diagram</li> <li>3. Reordered Table 4 DFDLLib methods by name</li> <li>4. Updated contents of Table 4 DFDLLib: <ul style="list-style-type: none"> <li>a. Changed inputs names: appendElements(1), appendElements(2), initLib,</li> <li>b. Changed description: createDocument(1)</li> <li>c. Added missing method name, input, output and description: createDocument(2), getSchemaDefinition, interpretDocument(2), main</li> </ul> </li> <li>5. Updated Figure 4 with updated diagram</li> <li>6. Updated contents of Table 5 Document: <ul style="list-style-type: none"> <li>a. Added missing method name, input, output and description: childAdd, evaluate</li> </ul> </li> </ul>	19/09/2017	Chapter 4  Figure 3 Table 4 Table 4  Figure 4 Table 5

	<ul style="list-style-type: none"> <li>b. Changed inputs names: childAt(1), childAt(2), childAtOffset, childCount, elementContains</li> <li>c. Corrected input, output and description: close</li> <li>d. Removed method: getElement</li> </ul> <p>7. Split contents of Table 6 into logical groups and by updated its operations:</p> <ul style="list-style-type: none"> <li>a. Added new methods: getHexadecimalValue, getIntrinsicType, getRangeMaximum, getRangeMinimum, getValueBinary, getValueChar8, getValueFloat32, getValueFloat64, getValueInteger, getValueTime, setData(1), setData(2), setRawData(1), setRawData(2), setValueFloat32, setValueFloat64, setValueInteger, setValueTime, value(3)</li> <li>b. Changed inputs names: absoluteName, name, offset, path, retrieveCleanAlignedData, retrieveCleanData, retrieveRawData(1), retrieveRawData(2), size, type, value(1)</li> </ul> <p>8. Updated contents of chapter 4.4 by replacing the example code with a new use case of creating a file based on a schema and setting fields.</p>		<p style="text-align: center;">Table 6</p> <p style="text-align: center;">Chapter 4.4</p>
1.G	<p>Removed text, figures and tables not related with the supported DFDL4S API.</p> <p>Removed from tables the methods that do not belong to the DFDL4S API.</p>	30/03/2018	<p>Tables: 9-20 and 22</p> <p>Figures: 5</p> <p>Sections: 4.2.2.3 4.2.3 4.3.1.3</p> <p>Tables 4-9</p>

## Table of Contents

<b>1. Introduction</b>	<b>9</b>
1.1. Purpose	9
1.2. Scope	9
1.3. Acronyms and Abbreviations	9
<b>2. Related Documents</b>	<b>12</b>
2.1. Applicable Documents	12
2.2. Reference Documents	12
<b>3. Getting Started</b>	<b>14</b>
3.1. Introduction	14
3.1.1. DFDL Grammar	14
3.2. Initial Requirements	15
3.3. Installation	15
<b>4. DFDL4S library</b>	<b>17</b>
4.1. Architectural Overview	17
4.2. DFDL4S library API	18
4.2.1. DFDLLib	18
4.2.2. DomainEntities	19
4.2.2.1. Document class	20
4.2.2.2. <i>Element</i> class	21
4.3. Process logic	23
4.3.1. Java Programming Language	23
4.3.1.1. DFDLLibrary	23
4.3.1.2. Domain Entities	24
4.4. Example of use	24
4.4.1. Java Programming Language	24
4.4.1.1. Java Build and Execution process	25
<b>5. Mission Configuration</b>	<b>27</b>
5.1. Mission Data Definition Schemas	27
5.1.1. Mission Schema Files	27
<b>6. Representation Types</b>	<b>30</b>
6.1. Basic Types Representations	31

6.1.1. Character8	31
6.1.2. Character16	31
6.1.3. String	31
6.1.4. Integer8	31
6.1.5. UInteger8	31
6.1.6. Integer16	31
6.1.7. UInteger16	31
6.1.8. Integer32	32
6.1.9. UInteger32	32
6.1.10. Integer64	32
6.1.11. UInteger64	32
6.1.12. Float16	32
6.1.13. Float32	32
6.1.14. Float64	32
6.1.15. Binary	33
6.1.16. Hexacimal	33
<b>7. Expression language</b>	<b>34</b>
<b>Appendix A – Compatibility with DFDL Core Set</b>	<b>37</b>

## List of Tables

Table 1: Applicable documents	12
Table 2: Reference documents	12
Table 3: Minimum System Requirements	15
Table 4: List of operations of the DFDLLib class	18
Table 5: List of operations of the Document class	20
Table 6: Element class: List of methods for getting the value of an element	21
Table 7: Element class: List of methods for setting the value of an element	22
Table 8: Element class: List of methods for getting properties of an element	23
Table 9: List of operations of the ElementFinder class	23
Table 10 Allowable Specified Lengths in Bits for Base-2 Binary Number Elements	37
Table 11 DFDL core properties compatibility	38

## List of Figure

Figure 1: Hierarchy of Data received by the Ground Sensor Stations.....	14
Figure 2: DFDL4S library high-level package diagram.....	17
Figure 3: DFDLLib class diagram.....	18
Figure 4: DomainEntities package class diagram.....	20
Figure 5: Mission Configuration files structure .....	27
Figure 6: Mission Schema file (Data Unit definition).....	28
Figure 7: Mission Schema file (Data Unit types definition).....	29
Figure 8: Example of representation type usage.....	30
Figure 9: DFDL4S Expression Language .....	35
Figure 10: DFDL Simple Types .....	37



## 1. INTRODUCTION

The Space to Ground Data Viewer (S2G) [AD.1, AD.2, AD.3, AD.4, AD.5, AD.6] is an extensible utility tool to support ground systems engineers during the test campaigns to inspect the contents of the communication channels between the signal-in-space and the ground systems apparatus. The Space to Ground testing comprise the analysis and visualisation of a variety of telemetry data files produced by satellites. These files can be formatted as CADUs, TFs or ISPs. The S2G Data Viewer has been implemented to support these activities.

The DFDL for Space (DFDL4S) is the underlying software library used by S2G. It comprises the capability to use DFDL schemas [RD.1] to read, parse, interpret, update and create CADU, TF or ISP data files.

### 1.1. Purpose

The objective of this manual is to provide an operation manual of the use of DFDL4S library to read, parse, inspect, update or create files storing CADUs, TFs and ISPs.

The intended readerships for this document are model developers and scientists that have the requirement to access telemetry data. This document is also useful to software engineers responsible of the testing stage.

### 1.2. Scope

This document shows a detailed description of the DFDL4S library and an API that should be used as a reference manual by model developers. It also includes a brief architecture description and some examples of use.

The following sections of this document are organized as follows:

- Section 2 lists applicable and reference documents
- Section 3 provides instructions to install and deploy the library
- Section 4 provides a description of the library architecture, the process logic and some examples of use. It also includes the coding guidelines.

### 1.3. Acronyms and Abbreviations

The acronyms and abbreviations used in this document are the following ones:

Acronym	Description
CADU	Channel Access Data Unit
DFDL4S	DFDL for Space
ISP	Instrument Source Packet
SoW	Statement of Work



This page intentionally left blank

## 2. RELATED DOCUMENTS

### 2.1. Applicable Documents

The following table specifies the applicable documents that shall be complied with during project development.

*Table 1: Applicable documents*

Reference	Code	Title	Issue
[AD.1]	S2G-DME-TEC-TNO005	S2G Data Viewer Technical Note: Technical Specification	1.A
[AD.2]	S2G-DME-RCR-ECP032	S2G Data Viewer: Proposal for CCN1 Activities	1.B
[AD.3]	S2G-DME-RCR-ECP056	S2G Data Viewer: Proposal for CCN2 Activities	1.C
[AD.4]	S2G-DME-RCR-ECP075	S2G Data Viewer: Proposal for CCN3 Activities	1.B
[AD.5]	S2G-DME-RCR-ECP094	S2G Data Viewer: Proposal for CCN5 Activities	1.B
[AD.6]	S2G-DME-RCR-ECP111	S2G Data Viewer: Proposal for CCN7 Activities	1.A

### 2.2. Reference Documents

The following table specifies the reference documents that shall be taken into account during project development.

*Table 2: Reference documents*

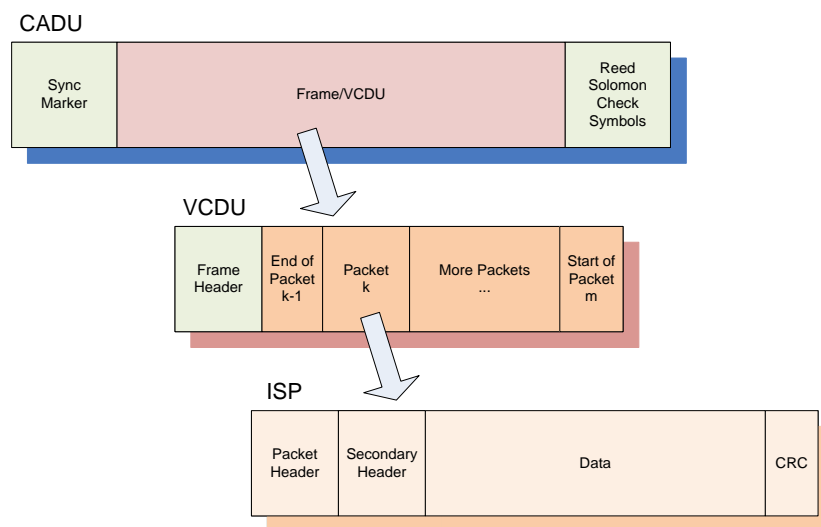
Reference	Code	Title	Issue
[RD.1]	GFD.207	Data Format Description Language (DFDL) v1.0	1.0
[RD.2]	ECSS E-70-41	Ground systems and operations - Telemetry & telecommand packet utilisation	
[RD.3]	REC-xml20081126	Extensible Markup Language (XML) 1.0 (Fifth Edition)	1.0
[RD.4]	REC-xpath20-20101214	XML Path Language (XPath) 2.0 (Second Edition)	2.0

This page intentionally left blank

## 3. GETTING STARTED

### 3.1. Introduction

Satellite house-keeping telemetry or science instruments data is transmitted to the ground sensor stations in a packets hierarchy (see Figure 1) that is defined according to a standard format, e.g. [RD.2]. Based on that standard format, each mission customizes the packets hierarchy to according to its specific needs and instruments.



**Figure 1: Hierarchy of Data received by the Ground Sensor Stations**

The DFDL4S library interprets the contents of the communication channels between the signal-in-space and the ground systems apparatus. It interprets files containing concatenated CADUs, TFs or ISPs, and lists of available data units and allows reading the fields and associated values inside each data unit. The library also supports the update (write) of the values in each data unit.

This document uses the designation of *data unit* when the type of the data item (CADUs, TFs or ISPs) is not relevant for the context.

#### 3.1.1. DFDL Grammar

DFDL4S is a generic binary data binding library based on the Data Format Description Language [RD.1]. An extension of the original specification has been introduced in the scope of S2G DataViewer development. These extensions are necessary to cope with S2G specific requirements.

Data Binding language based on the DFDL makes use of the standard “dfdl:” properties as tags in the xml definition. The compliance of “dfdl:” properties used by DFDL4S to the DFDL specification is detailed in Appendix A – Compatibility with DFDL Core Set. On the other hand the extension to the original specification introduces the use of “dmx:” properties. DMX attributes are not processed by DFDL4S library and are mentioned here for information only since they are part of the schemas used to process space-to-ground-data. It should be noted that in the case when an external application makes use

of the DFDL4S library an advanced model developer should be aware of the existence of both types of properties to properly interpret data files.

## 3.2. Initial Requirements

DFDL4S is a Java library therefore it is available for several platforms. The installation should consider the minimum requirements presented in Table 3. The platforms presented have been used to support testing activities.

**Table 3: Minimum System Requirements**

Platform	Requirements
Linux (64 bit)	RAM: 2 GB Disk Space: 50 MB Dependencies: Java 1.8
Mac OS (64 bit)	RAM: 2 GB Disk Space: 50 MB Dependencies: Java 1.8
Windows (32/64 bit)	RAM: 1 GB Disk Space: 50 MB Dependencies: Java 1.8

## 3.3. Installation

To install DFDL4S library simply unzip the distribution archive (dfdl4s\_release\_X\_X\_X.zip) into the installation directory. The folder structure resultant of this action is as follows:

- DFDL4S: main folder containing the LICENSE and README files;
- DFDL4S/docs: Doxygen generated documentation of the library API in html format;
- DFDL4S/examples: Ready-to-use example including a standalone Java program (which source code can be adapted) and a script showing how to compile and execute the code;
- DFDL4S/lib: dfdl4s.jar (the DFDL4S library itself) + external libraries used by DFDL4S;
- DFDL4S/installation\_tests: Standard tests exercising basic functionalities (parse, interpret, update and create data) which can be used to validate the proper installation of the library:
  - testRead.sh<sup>1</sup>: script to invoke the DFDL4S reading capabilities;
  - testPrint.sh: script to invoke the DFDL4S library print example;
  - testPerformace.sh: script to assess the DFDL4S library reading performance;
  - testUpdate.sh: script to invoke the DFDL4S library write/update example
  - testCreate.sh: script to invoke the DFDL4S library data creation capabilities.

<sup>1</sup> Note that both .bat (for Windows) and .sh (for Linux and MacOS) versions of the scripts are available.

The mission configuration files are described in section 5. The configuration file is an XML file that provides information required by the library to interpret the data. The definition of the mission binary data, namely the data fields for CADU, TF and ISPs, is defined using DFDL [RD.1].



## 4. DFDL4S LIBRARY

In this section, the following is presented:

An architectural overview, giving structural descriptions of the elements offered in the APIs (such as inheritance diagrams for classes).

A complete set of examples of how to use the APIs and how to include them in model implementation.

### 4.1. Architectural Overview

The DFDL4S library provides capabilities for parsing files based on DFDL definitions. It is a Java library (packaged as a simple to use .jar file). The library provides developers with a set of routines with a well-defined public interface hiding the implementation details. The library interface enables a set of data manipulation operations based on DFDL schemas used to interpret binary data<sup>2</sup>. The operations foreseen include: loading binary data into a DFDL tree structure, navigate/inspect thru a DFDL tree, read a DFDL tree node value and update a DFDL tree node value (writing it to the underlying file support).

DFDL4S library is decomposed in the following conceptual packages (as depicted in Figure 2):

**DFDLLib**: main entry point for parsing a binary file;

**DomainEntities**: a set of classes mapping the binary file into structures enabling traversing and accessing the binary data;

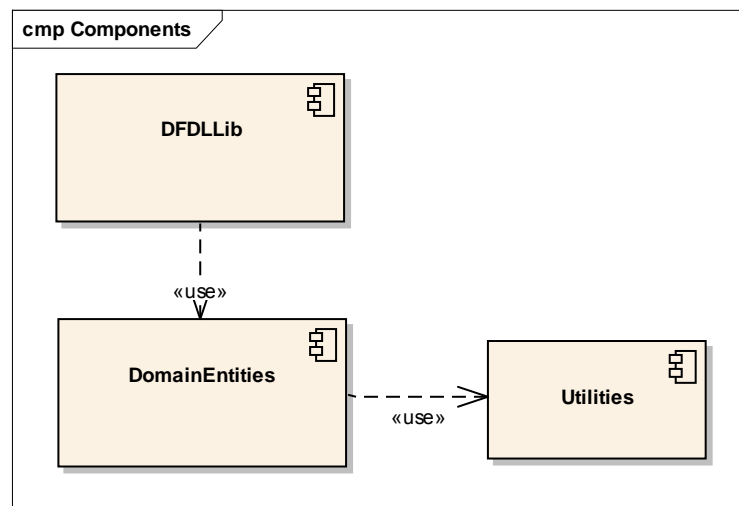


Figure 2: DFDL4S library high-level package diagram

<sup>2</sup> DFDL also supports text data, but due to the intended use of DFDL4S that support has not been considered necessary and is not covered by the current implementation.

## 4.2. DFDL4S library API

The following sections describe the API provided by DFDL4S library. It should be noted that besides this manual a model developer can also refer to the Doxygen generated documentation of the library API in html format provided in the library deployment package (refer to section 3.3 for installation details).

### 4.2.1. DFDLLib

The DFDLLib class provides the capability to interpret the contents of a binary file according to the specifications of a schema.

Figure 3 shows the DFDLLib class diagram, listing interface methods.

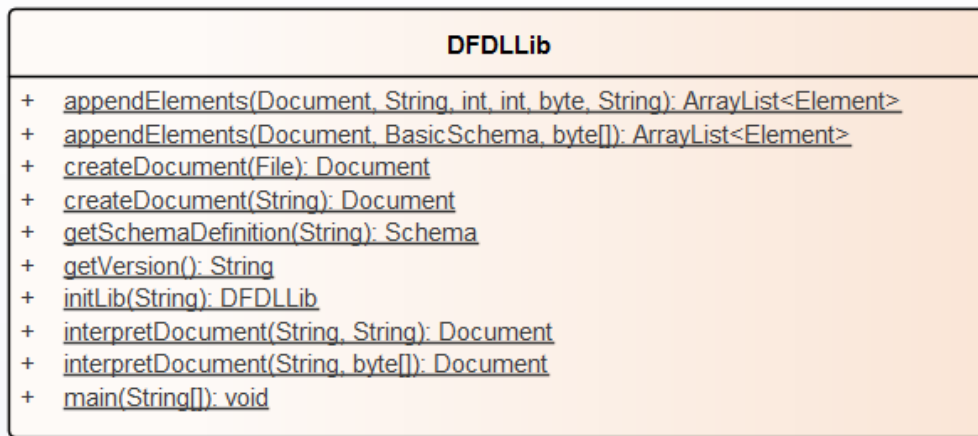


Figure 3: DFDLLib class diagram

Table 4: List of operations of the DFDLLib class

Operation name	Input	Output	Description
appendElements	Document String int int byte String	List<Element>	This method adds new elements to a document based on data generation parameters
appendElements	Document BasicSchema byte[]	List<Element>	This method adds new elements to a document based on raw data.
createDocument	File	Document	This method generates a Document supported by a given file object.

Operation name	Input	Output	Description
createDocument	String	Document	This method generates a Document supported by a given file path.
getSchemaDefinition	String	Schema	Access schema definition from a given file
getVersion	-	String	The version number and release date of the library.
initLib	String	DFDLLib	This method initialises the DFDLLib: sets the UTC TAI conversion data.
interpretDocument	String String	Document	This method interprets the contents of a binary file according to the specifications of a schema file. Returns the element (document) containing all element items available in the binary file.
interpretDocument	String Byte[]	Document	This method interprets the contents of a memory block according to the specifications of a schema file. Returns the element (document) containing all element items available in the binary file.

### **4.2.2. DomainEntities**

The classes contained in this package are responsible for modelling the contents of a binary file.

Figure 4 shows class diagram of the DomainEntities package.

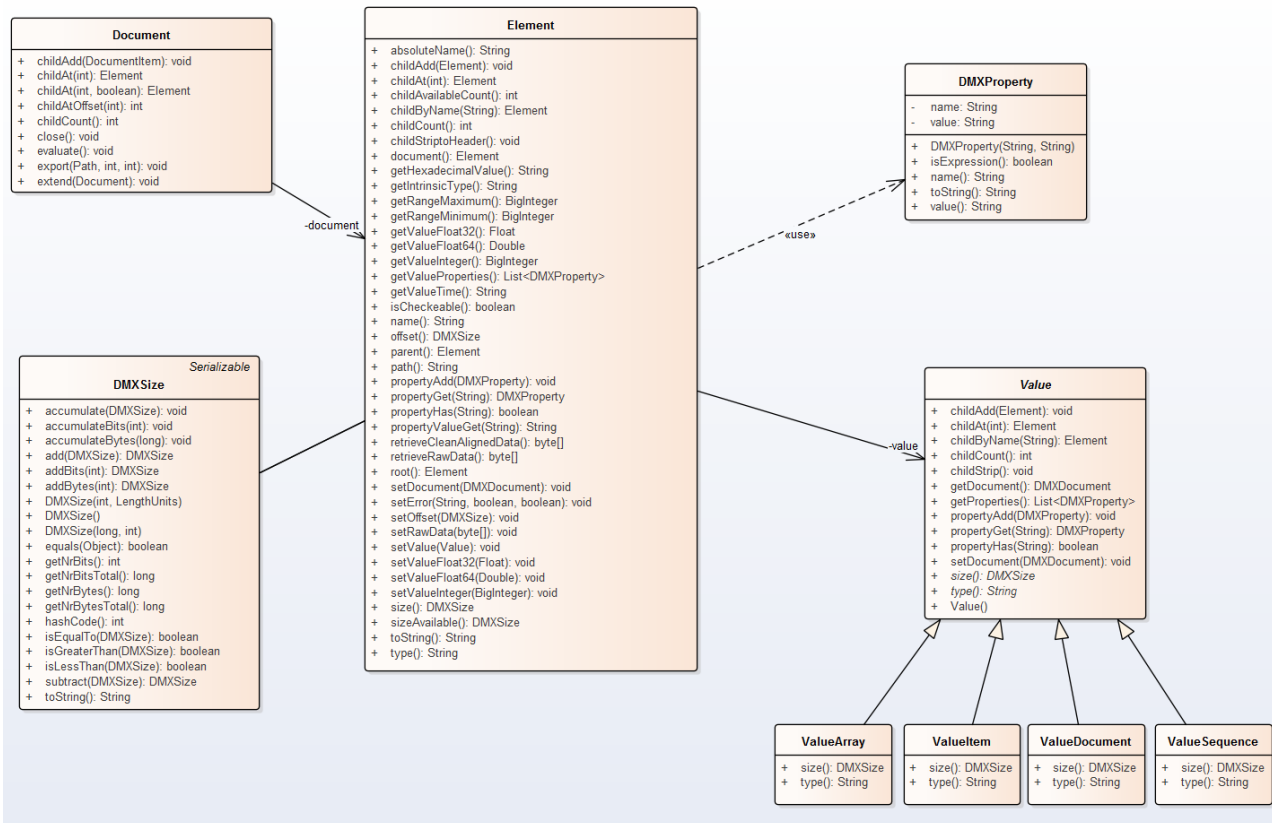


Figure 4: DomainEntities package class diagram

Classes contained in this package are:

- *Document*: the Document class represents the root of the domain element that is used to structure the binary data;
- *Element*: the Element class represents a domain element that is used to structure the binary data;

The above mentioned classes are described more in detail in the next sections.

#### 4.2.2.1. Document class

The Document class provides methods to interact with the domain structure that represents the binary data through Elements (like nodes in a binary tree). These methods are listed in Table 5.

The typical usage for this class is to get the root element - `document.childAt(0)` - and to close the document - `document.close()`.

Table 5: List of operations of the Document class

Operation name	Input	Output	Description
<code>childAt</code>	<code>int</code>	<code>Element</code>	Access the child at the given index (does not evaluate hooks). Returns the requested child element.

Operation name	Input	Output	Description
childCount	-	int	Returns the number of children of the element.
close	-	-	Close the document, releasing all associated resources.

#### 4.2.2.2. Element class

The Element class provides:

- Methods to get the value of an element (see Table 6);
- Methods to set the value of an element (see Table 7);
- Methods to get the properties of an element (see Table 8);

**Table 6: Element class: List of methods for getting the value of an element**

Method name	Input	Output	Description
getValueFloat32	-	Float	returns the element value (element shall be of type 32-bit floating point, otherwise an exception is raised)
getValueFloat64	-	Double	returns the element value (element shall be of type 64-bit floating point, otherwise an exception is raised)
getValueInteger	-	BigInteger	returns the element value (element shall be of type integer, otherwise an exception is raised)
getValueTime	-	String	returns the element value (element shall be of type Time, otherwise an exception is raised)
getHexadecimalValue	-	String	returns the element value as an hexadecimal string

*Table 7: Element class: List of methods for setting the value of an element*

Method name	Input	Output	Description
<code>setValueFloat32</code>	Float	-	sets the element value (element shall be of type 32-bit floating point, otherwise an exception is raised)
<code>setValueFloat64</code>	Double	-	sets the element value (element shall be of type 64-bit floating point, otherwise an exception is raised)
<code>setValueInteger</code>	BigInteger	-	sets the element value (element shall be of type integer, otherwise an exception is raised)
<code>setValueTime</code>	String	-	sets the element value (element shall be of type Time, otherwise an exception is raised)

**Table 8: Element class: List of methods for getting properties of an element**

Operation name	Input	Output	Description
absoluteName	-	String	Access the absolute name of the element
getIntrinsicType	-	String	Gets the element intrinsic type (xsd type)
getRangeMaximum	-	BigInteger	For XSD_TYPES BYTE, SHORT, INT or LONG, return the maximum type value based on size
getRangeMinimum	-	BigInteger	For XSD_TYPES BYTE, SHORT, INT or LONG, return the minimum type value based on size
name	-	String	Access the name of the element

**Table 9: List of operations of the ElementFinder class**

Operation name	Input	Output	Description
getElement	Element, String	Element	Gets the element for a given packet and expression

## 4.3. Process logic

In this section, the process logic of using the library in model's source code is shown. It is described for Java developments.

### 4.3.1. Java Programming Language

#### 4.3.1.1. DFDLLibrary

Steps for using the DFDLLibrary module.

1. Import package org.esa.s2g.dfllib.DFDLLib in your code;
2. Use the static functions as a library of functionalities. No instance creation is needed:

2.1. Initialize the library's time definitions using method `initLib()` and passing it the path to the time definition file;

```
DFDLLib.initLib("resources/time");
```

2.2. Access a data file using method `interpretDocument()` and passing it the path to the Mission Specification Schema and the path to the data file.

```
DFDLLib.interpretDocument("resources/data/Sentinel2X-bandTM/Sentinel2X-bandTMCADU.xsd",  
"tests/data/Sentinel 2 X-band TM/Sentinel 2 X-band TM CADU.bin");
```

### 4.3.1.2. Domain Entities

Steps for using data structures in the DomainEntities module.

1. Import package `pt.com.deimos.s2g.lib.*` in your code;
2. Create an instance of a Document class from the return value of `DFDLLib.interpretDocument()` method. The method may throw an exception in case of error, so remember to catch it;

```
Document document = DFDLLib.interpretDocument("resources/data/Sentinel2X-bandTM/Sentinel2X-  
bandTMTF.xsd", "tests/data/Sentinel 2 X-band TM/Sentinel 2 X-band TM TF.bin");
```

3. Access the data using the methods explained in section 4.2.2.

```
System.out.println(document.getChildAt(0)); //output the entire value of the first data unit in the file
```

4. Close the document once not needed.

```
document.close();
```

## 4.4. Example of use

### 4.4.1. Java Programming Language

Below is an example of Java code that uses basic capabilities modules of the DFDL4S library to create a document based on a schema a setting integer values.

```
import org.esa.s2g.dfdl.lib.DFDLLib;  
import pt.com.deimos.s2g.lib.Document;  
import pt.com.deimos.s2g.lib.Element;  
import pt.com.deimos.s2g.lib.ElementFinder;  
import pt.com.deimos.s2g.lib.loader.ErrorLoadingException;  
  
import java.io.File;  
import java.io.IOException;  
import java.math.BigInteger;  
  
public class DFDLLibTest {  
  
    public static void main(String[] args) throws InterruptedException, ErrorLoadingException, IOException {  
  
        String timeSettingsPath = "A_TIME_SETTINGS_PATH";
```



```

String filenamePath = "A_FILENAME_PATH";
String schemaPath = "A_SCHEMA_PATH";
int nrOfBytes = 1; // the size of the document in bytes

Document document = createDocumentWith(timeSettingsPath, filenamePath, schemaPath, nrOfBytes);

String integerOnePath = "/Integer_1";
String integerTenPath = "/Integer_10";

setValueIntegerOn(document, integerOnePath, BigInteger.ONE);
setValueIntegerOn(document, integerTenPath, BigInteger.TEN);

getValueIntegerFrom(document, integerOnePath);
getValueIntegerFrom(document, integerTenPath);

document.close();
}

/**
 * Create a document with the given parameters
 *
 * @param timeSettingsPath the time settings path
 * @param filenamePath the file path where data is going to be written
 * @param schemaPath the schema path corresponding to this file
 * @param nrOfBytes the number of bytes according to this schema
 *
 * @return the dfdl4s document
 *
 * @throws InterruptedException
 * @throws ErrorLoadingException
 * @throws IOException
 */
private static Document createDocumentWith(String timeSettingsPath, String filenamePath, String schemaPath, int nrOfBytes) throws InterruptedException,
ErrorLoadingException, IOException {

    DFDLLib.initLib(timeSettingsPath);

    Document document = DFDLLib.createDocument(new File(filenamePath));

    byte data[] = new byte[nrOfBytes];
    DFDLLib.appendElements(document, DFDLLib.getSchemaDefinition(schemaPath), data);

    return document;
}

private static void setValueIntegerOn(Document document, String path, BigInteger integerValue) {

    Element root = document.childAt(0);
    Element element = ElementFinder.findElement(root, path);
    element.setValueInteger(integerValue);
}

private static BigInteger getValueIntegerFrom(Document document, String path) {

    Element root = document.childAt(0);
    Element element = ElementFinder.findElement(root, path);
    return element.getValueInteger();
}
}

```

#### 4.4.1.1. Java Build and Execution process

To compile the sources you must specify the location of the source file and the DFDL4S library jar file:

```
javac -cp <path to dfdl4slib jar file> <source code java file>
```

This command is a valid example for compiling the above example (assuming the working directory is the DFDL4S installation folder):

```
javac -cp ./lib/dfdl4s.jar DFDLLibTest.java
```

The result of this command is a compiled code “.class” file (e.g. DFDLLibTest.class)

For executing the compiled code you must specify the location of all required jar files and the full class name (including package definition when applicable) of the main class.

```
java -cp <composite path to jar files> <full class name>
```

The command for executing the example is:

```
java -cp ../lib/dfdl4s.jar:../lib/*:. DFDLLibTest
```

## 5. MISSION CONFIGURATION

DFDL4S takes a set of mission configurations as inputs, composed of several separate files. The library provides a set of sample mission configurations, that the user can expand.

The files composing the Mission Configuration (Figure 5) provide a wide range of configuration parameters used by the library, grouped as Mission Data Definition schemas. The Mission Data Definition schema files are a set of schemas that define the binary contents of the several levels of packages (CADU, TF and ISP) based on DFDL [RD.1].

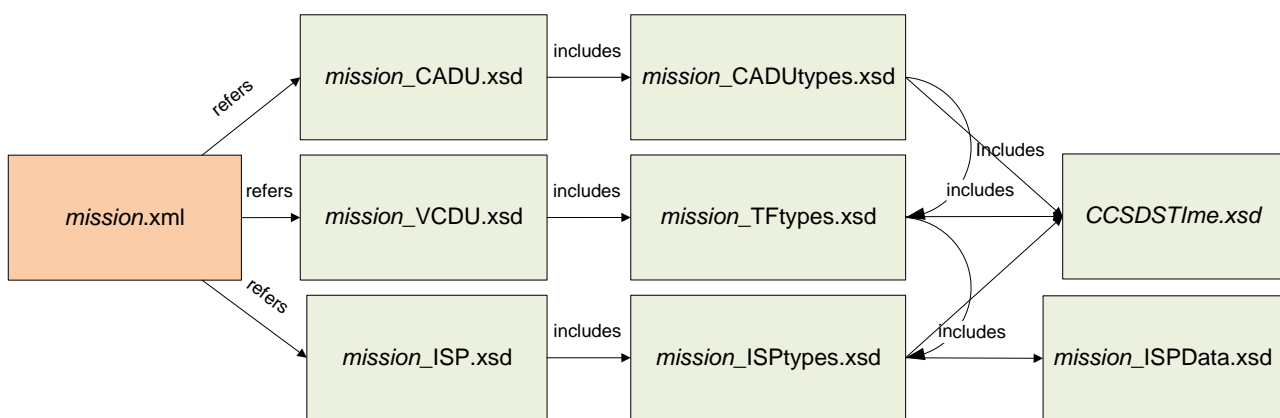


Figure 5: Mission Configuration files structure

The following sections present details of the Mission Data Definition Schemas.

### 5.1. Mission Data Definition Schemas

The Mission Data Definition schemas are XSD schemas adapted to describe the structure of the binary items inside the data files. Although each schema file could have been defined independently, considering that they can share schema types, the structure shown in Figure 5 has been used. Section 5.1.1 provides some guidelines on how the user can customize an existing mission configuration.

#### 5.1.1. Mission Schema Files

The mission schema files are regular XML Schema files (XSD) with extra properties allowing the definition of binary data instead xml data. The properties that enable binary data definition are defined according to the DFDL standard [RD.1].

Figure 6 provides an example of the data schema definition for the higher level structure. The file defines a schema with three top elements:

1. An annotation reporting the version of the schema file
2. An include directive, that indicates that types defined in the indicated file are available to define the data unit

3. An annotation describing the DFDL format (encoding and byteOrder) to apply in data parsing;
4. The top level element definition - the example shows the specification of a data unit denominated "ISP", and defined as a sequence of two elements, named "PacketHeader" and "PacketData"; the types of the two sub-elements ("TypePacketHeader" and "TypePacketData", respectively) are defined in the detail definition files.
  - a. The optional `dmx:representation="Complex"` tag is used when sub-elements include an assertion that depends on the value of a parent element.

```
<?xml version="1.0" encoding="UTF-8"?>
<xs:schema
  xmlns:xs="http://www.w3.org/2001/XMLSchema"
  xmlns:dmx="http://www.deimos.com.pt/dmx/dmx-1.0"
  xmlns:dfdl="http://www.ogf.org/dfdl/dfdl-1.0">

  <xs:annotation>
    <xs:documentation>$Revision: 496 $ $Date:: 2012-03-12 14:08:15#</xs:documentation>
  </xs:annotation>

  <xs:include schemaLocation="Sentinel13X-bandTMISPTypes.xsd"/>

  <xs:annotation>
    <xs:appinfo source="http://www.ogf.org/dfdl/dfdl/">
      <dfdl:format byteOrder="bigEndian" encoding="utf-8" />
    </xs:appinfo>
  </xs:annotation>

  <xs:element name="ISP" dmx:representation="Complex">
    <xs:complexType>
      <xs:sequence>
        <xs:element name="PacketHeader" type="TypePacketHeader"/>
        <xs:element name="PacketData" type="TypePacketData"/>
      </xs:sequence>
    </xs:complexType>
  </xs:element>
</xs:schema>
```

**Figure 6: Mission Schema file (Data Unit definition)**

The Figure 7 shows a schema that defines the low level types to be combined in order to define the top level data unit described in the previous paragraph. The file defines a schema with the following elements:

1. An annotation reporting the version of the schema file
2. A list of complex types ("TypeAPIID", "TypePacketHeader", "TypeDataFieldHeader\_OLCI", "TypeDataHeader")

When necessary, complex types can be built upon the definition of other types (e.g. the type "TypePacketHeader" defines a sequence containing an element of type "TypeAPIID"); or can be defined over simple types (e.g. the element "seqCount" is described directly as an "xs:int" with additional DFDL properties). More information on the DFDL properties used to define mission schemas is available in Appendix A – Compatibility with DFDL Core Set and detailed in [RD.1].

```

<?xml version="1.0" encoding="UTF-8"?>
<xs:schema
  xmlns:xs="http://www.w3.org/2001/XMLSchema"
  xmlns:dmx="http://www.deimos.com.pt/dmx/dmx-1.0"
  xmlns:dfdl="http://www.ogf.org/dfdl/dfdl-1.0">

  <xs:annotation>
    <xs:documentation>$Revision: 470 $ $Date:: 2012-02-23 08:56:15#</xs:documentation>
  </xs:annotation>

  <xs:complexType name="TypeAPID">
    <xs:sequence>
      <xs:element name="PID"
        type="xs:int" dfdl:lengthKind="explicit" dfdl:lengthUnits="bits" dfdl:length="7"
        dmx:representation="Binary"/>
      <xs:element name="PCAT"
        type="xs:int" dfdl:lengthKind="explicit" dfdl:lengthUnits="bits" dfdl:length="4"
        dmx:representation="Binary"/>
    </xs:sequence>
  </xs:complexType>

  <xs:complexType name="TypePacketHeader">
    <xs:sequence>
[...snip...]
      <xs:element name="APID" type="TypeAPID"/>
[...snip...]
      <xs:element name="seqCount"
        type="xs:int" dfdl:lengthKind="explicit" dfdl:lengthUnits="bits" dfdl:length="14"
        dmx:representation="Integer16"/>
      <xs:element name="dataFieldLength"
        type="xs:int" dfdl:lengthKind="explicit" dfdl:lengthUnits="bits" dfdl:length="16"
        dmx:representation="Integer16"/>
    </xs:sequence>
  </xs:complexType>

[...snip...]

  <xs:complexType name="TypeDataFieldHeader_OLCI">
    <xs:sequence>
[...snip...]
    </xs:sequence>
  </xs:complexType>

  <xs:complexType name="TypeDataHeader">
    <xs:choice>
      <xs:element name="OLCIHeader" type="TypeDataFieldHeader_OLCI">
        <xs:annotation>
          <xs:appinfo source="http://www.ogf.org/dfdl/dfdl-1.0">
            <dfdl:discriminator
              test="{../../../../PacketHeader/APID
                in [1056,1057,1058,1059,1060,1061,1062,1063,1064,1065]}"/>
          </xs:appinfo>
        </xs:annotation>
      </xs:element>
[...snip...]
    </xs:complexType>

  <xs:complexType name="TypeData">
    <xs:sequence>
      <xs:element name="data"
        type="xs:byte" dfdl:lengthKind="expression" dfdl:lengthUnits="bytes"
        dfdl:length="{../../../../PacketHeader/dataFieldLength
          + 1 - length../../../../PacketData/DataHeader) - 2}"
        dmx:representation="Hexadecimal"/>
    </xs:sequence>
  </xs:complexType>

[...snip...]

  <xs:complexType name="TypePacketData">
    <xs:sequence>
      <xs:element name="DataHeader" type="TypeDataHeader"/>
      <xs:element name="Data" type="TypeData"/>
      <xs:element name="CRC" type="TypeCRC"/>
    </xs:sequence>
  </xs:complexType>
</xs:schema>

```

Figure 7: Mission Schema file (Data Unit types definition)

## 6. REPRESENTATION TYPES

As expected from a low level definition language, DFL does not provide a way to specify the representation of the nodes in the information model, meaning that although DFL allows to access the data in a structured approach it does not provide insight as how it should be interpreted by the user. Such interpretation of the data must be done according to a semantic meaning relevant to the user.

Since there is the intent to help the operator to inspect and understand the raw data contents of binary packets, DFL4S must extend DFL with a mechanism to interpret the raw data and transform it into a human readable format.

To accomplish this goal, DFL4S provides the concept of representation type to be the semantic type used to represent the data in the viewer. Although the representation type can be understood as the default type of the data, the tool also allows the user to view the raw data (presented as binary or hexadecimal) in the hexadecimal pane.

The representation type is thus closely related to the data definition, and is expected to be provided by the user upon mission schema definition. As DFL extends the XML Schema definition by adding attributes that describe properties of the represented binary data, DFL4S relies upon one such extension to define the representation type of elements in the information model. As presented in Figure 8, a representation attribute can be used to provide information to about the representation type.

```
...  
<xs:element name="packet">  
  <xs:complexType>  
    <xs:sequence>  
      <xs:element name="counter" dfdl:length="2" dmx:representation="Float16"/>  
      <xs:element name="date" dfdl:length="4" dmx:representation="Integer32"/>  
    </xs:sequence>  
  </xs:complexType>  
</xs:element>  
...
```

Representation specifies how  
is presented in the GUI

**Figure 8: Example of representation type usage**

The value of the representation property must be defined as one of the values presented in the next paragraphs.

## 6.1. Basic Types Representations

### 6.1.1. *Character8*

*Character8* represents a character stored as an unsigned integer value (with 1 byte or octet of size) ranging from 0 to 255, that is displayed using UTF-8 representation. Control characters – non-printing – are be replaced by character '!'.

### 6.1.2. *Character16*

*Character16* represents a wide character stored as an unsigned integer value (with 2 bytes of size) ranging from 0 to 65535, that is displayed using UTF-16 representation. Control characters – non-printing – are be replaced by character '!'.

### 6.1.3. *String*

*String* represents an octet string to be displayed in UTF-8. The size of this representation is determined by the size of the underlying element to be represented. For example, is an element says that it has length 100 bytes, its representation as *String* shall show in the GUI a string with at most 100 characters.

### 6.1.4. *Integer8*

*Integer8* represents a signed integer value (with 1 byte or octet of size) ranging from -128 to 127, that is displayed as an integer.

### 6.1.5. *UInteger8*

*UInteger8* represents an unsigned integer value (with 1 byte or octet of size) ranging from 0 to 255, that is displayed as an integer.

### 6.1.6. *Integer16*

*Integer16* represents a signed integer value (with 2 bytes) ranging from -32,768 to 32,767, that is displayed as an integer.

### 6.1.7. *UInteger16*

*UInteger16* represents an unsigned integer value (with 2 bytes) ranging from 0 to 65,535, that is displayed as an integer.

### **6.1.8. Integer32**

*Integer32* represents a signed integer value (with 4 bytes) ranging from -2,147,483,648 to 2,147,483,647, that is displayed as an integer.

### **6.1.9. UInteger32**

*UInteger32* represents an unsigned integer value (with 4 bytes) ranging from 0 to 4,294,967,295, that is displayed as an integer.

### **6.1.10. Integer64**

*Integer64* represents a signed integer value (with 8 bytes) ranging from -9,223,372,036,854,775,808 to 9,223,372,036,854,775,808, that is displayed as an integer.

### **6.1.11. UInteger64**

*UInteger64* represents an unsigned integer value (with 8 bytes) ranging from 0 to 18,446,744,073,709,551,615, that is displayed as an integer.

### **6.1.12. Float16**

*Float16* represents floating point value (with 2 bytes of size), otherwise referred to as half precision. This value shall be interpreted according to the IEEE Standard for Floating-Point Arithmetic (IEEE 754).

### **6.1.13. Float32**

*Float32* represents floating point value (with 4 bytes of size), otherwise referred to as single precision. This value shall be interpreted according to the IEEE Standard for Floating-Point Arithmetic (IEEE 754).

### **6.1.14. Float64**

*Float64* represents floating point value (with 8 bytes of size), otherwise referred to as double precision. This value shall be interpreted according to the IEEE Standard for Floating-Point Arithmetic (IEEE 754).



### **6.1.15. Binary**

*Binary* represents a binary string. The size of this representation is determined by the size of the underlying element to be represented. The viewer represents each of the octets related to the element.

### **6.1.16. Hexacimal**

*Hexadecimal* represents a hexadecimal string. The size of this representation is determined by the size of the underlying element to be represented. The viewer represents each of the octets related to the element.

## 7. EXPRESSION LANGUAGE

The DFDL expression language allows the processing of values conforming to the data model defined in the DFDL Infoset. It allows properties in the DFDL schema to be dependent on the value of an occurrence of an element or the value of a DFDL variable. For example the length of the content of an element can be made dependent on the value of another element in the document.

The main uses of the expression language, in context of DFDL4S, are as follows<sup>3</sup>:

1. When a DFDL property needs to be set dynamically at parse time from the value of one or more elements of the data. That is the case of `length`.
2. In a `dfdl:discriminator` annotation to resolve uncertainty when parsing.

The DFDL expression language is a subset of XPath 2.0 [RD.4]. DFDL uses a subset of XML schema and has a simpler information model, so only a subset of XPath 2.0 expressions is meaningful in DFDL Schemas. For example there are no attributes in DFDL so the attribute axis is not needed. [RD.1]

DFDL4S supports only a subset of DFDL expression language, with some especial extensions, whose need was identified in the context of S2G DataViewer.

DFDL expressions follow the XPath 2.0 syntax rules but are always enclosed in curly braces "{" and "}".

The expression language supported by DFDL4S is given by the grammar of `dfdl:expression` which of them are implemented - completely or partially - in the DFDL4S library. Column "DFDL4S Compliance" contains values: "C" – implemented in DFDL4S; "PC" – partially implemented in DFDL4S; "NC" – not implemented in DFDL4S and; "N/A" - not available in DFDL4S (DFDL supports both binary and text data, but due to the intended use of DFDL4S the support for text data has not been considered and is not covered by the current implementation; hence N/A is the classification given to properties related only to text data encoding).

In the scope of DFDL4S an element in the information set (also applicable to simple type definition) can be assigned with the attributes specified in Table 11. In the following description the concept of 'DFDL expression' is used. This corresponds to an expression defined by a path to access a given element in the data schema. DFDL expressions are not limited to the defining type. Instead they can be used to traverse the schema and reach any element. This can be done thru the use of the following path elements:

- ".": the element itself;
- "..": the parent element;
- "\*": the element's first child;
- "\*<name>": the elements child matching the given <name>.

Table 11 DFDL core properties compatibility <sup>4</sup>.

---

<sup>3</sup> In general, DFDL expressions are used in more situations (see [RD.1]).

<sup>4</sup> Refer to [RD.4] for a description of XPath 2.0 and to [RD.3] for name terminal symbols.

```
DFDL4SExpression ::= "{" Expr "}"
Expr ::= ExprSingle
ExprSingle ::= OrExpr
OrExpr ::= AndExpr ("or" AndExpr)*
AndExpr ::= ExtendedComparisionExpr( "and" ExtendedComparisionExpr )*
ExtendedComparisionExpr := ComparisionExpr | InExpr | InRangeExpr
InExpr ::= AdditiveExpr "in" "[" NumericalLiteral ("," NumericalLiteral "]" )? "]"
InRangeExpr ::= AdditiveExpr "in" "[" NumericalLiteral "," NumericalLiteral "]"
ComparisionExpr ::= AdditiveExpr (ValueComp AdditiveExpr)?
AdditiveExpr ::= UnaryExpr ("+" | "-" ) UnaryExpr)*
UnaryExpr ::= ("-"|"+")? ValueExpr
ValueExpr ::= PathExpr
ValueComp ::= "eq"
PathExpr ::= ("/" RelativePathExpr?) | RelativePathExpr | FilterExpr
RelativePathExpr ::= StepExpr ("/" StepExpr)*
StepExpr ::= AxisStep
AxisStep ::= (ReverseStep | ForwardStep)
ForwardStep ::= AbbrevForwardStep
AbbrevForwardStep ::= NodeTest | ContextItemExpr
ReverseStep ::= AbbrevReverseStep
AbbrevReverseStep ::= ".."
NodeTest ::= NameTest | Limiter
Limiter ::= "#"
NameTest ::= QName | WildCard | NameRegex
WildCard ::= "*"
NameRegex ::= StartNameChar ((NameChar)* "*" (NameChar)*)+
FilterExpr ::= PrimaryExpr
PrimaryExpr ::= Literal | ContextItemExpr | FunctionCall
Literal ::= NumericLiteral | StringLiteral
NumericLiteral ::= IntegerLiteral
ContextItemExpr ::= "."
FunctionCall ::= QName "(" (ExprSingle("," ExprSingle)*)? ")"
```

**Figure 9: DFDL4S Expression Language**

Note some important differences between the language specified by DFDL standard and the supported by DFDL4S. Here *if*, *multiplicative*, *predicate*, *forward axis*, *reverse axis*, *variable reference*, *parenthesised*, *decimal*, *double* expressions are not supported. Moreover, none of the comparison operators *ne*, *lt*, *le*, *gt* and *ge* are supported.

On the other hand DFDL4S supports some extensions. Comparison expressions are extended with the *in* and *in range* expressions. *Path* expressions are extended with *limiters*, *wildcards* and *name regular expressions*.

An *in range* expression is a boolean expression with the form

*numeric* **inrange** [*min*, *max*]

where *numeric* is an expression that evaluates to integer and *min* and *max* are integer literals, and evaluates to *true* if and only if *numeric* evaluates to an integer between *min* and *max* (limits included).

An *in* expression is a boolean expression with the form

*numeric* **in** [*e*<sub>1</sub>, *e*<sub>2</sub>, ..., *e*<sub>*n*</sub>]

where *numeric* is an expression that evaluates to integer and *e*<sub>1</sub> to *e*<sub>*n*</sub> are integer literals, and evaluates to *true* if and only if *numeric* evaluates to one of *e*<sub>1</sub>, *e*<sub>2</sub>, ..., or *e*<sub>*n*</sub>.

A *# node test* is true for the context node if it contains 2 or less elements.

A *\* node test* is true for the first, in document order, element contained in the context node.<sup>5</sup>

A *name regular expression node test* *regex* is true for the first, in the document order, element contained in the context node whose QName match the regular expression *regex*.

With respect to functions, only `dfdl:contentLength($node, $lengthUnits)`, where *\$node* is a *path* expression (with the described DFDL4S extensions) and *\$lengthUnits* is 'bits' or 'bytes', is supported. This function evaluates to the length of the element given by the evaluation of *\$node*.

DFDL4S accepts expressions in the described language as value of the DFDL properties *test*, *in discriminators*, and *length*; and DMX property *assertExpression*. The value of a *test* or *assertExpression* property must evaluate to a *boolean*, being in the language defined by *OrExpr*. The value of a *length* property must evaluate to a positive *integer*, being in the language defined by *AdditiveExpr*.

---

<sup>5</sup> In Xpath 2.0 standard, contrary to DFDL, wildcards are allowed. Although they are also supported in DFDL4S, they do not match all nodes contained in the context node, but only the first one. This modification is needed since DFDL expression must always evaluate to sequences with 0 or 1 items.

## Appendix A - Compatibility with DFDL Core Set

This section describes the compliance of DFDL4S implementation with respect to DFDL standard specification. Regarding the DFDL simple types depicted in Figure 1 (see Section 5. of [RD.1]), all of them are supported.

### DFDL built-in types

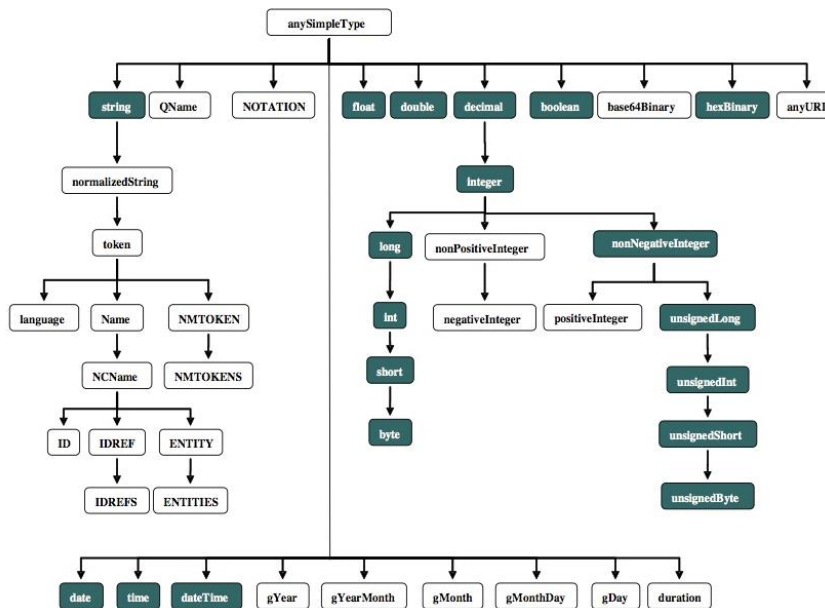


Figure 10: DFDL Simple Types

For every DFDL numeric simple type DFDL4S validates the associated explicit length restrictions, specified for base-2 binary number elements listed in Table 10 (see Section. 12.3.7.2.1 of [RD.1]).

Table 10 Allowable Specified Lengths in Bits for Base-2 Binary Number Elements

Type	Minimum value of length	Maximum value of length
xs:byte	2	8
xs:short	2	16
xs:int	2	32
xs:long	2	64
xs:unsignedByte	1	8
xs:unsignedShort	1	16
xs:unsignedInt	1	32
xs:unsignedLong	1	64
xs:nonNegativeInteger	1	Implementation-dependent (but not less than 64)
xs:integer	2	Implementation-dependent (but not less than 64)
xs:decimal	2	Implementation-dependent (but not less than 64)

With respect to the DFDL core properties, the Table 11 describes which of them are implemented - completely or partially - in the DFDL4S library. Column “DFDL4S Compliance” contains values: “C” – implemented in DFDL4S; “PC” – partially implemented in DFDL4S; “NC” – not implemented in DFDL4S and; “N/A” - not available in DFDL4S (DFDL supports both binary and text data, but due to the intended use of DFDL4S the support for text data has not been considered and is not covered by the current implementation; hence N/A is the classification given to properties related only to text data encoding).

In the scope of DSDL4S an element in the information set (also applicable to simple type definition) can be assigned with the attributes specified in Table 11. In the following description the concept of ‘DFDL expression’ is used. This corresponds to an expression defined by a path to access a given element in the data schema. DFDL expressions are not limited to the defining type. Instead they can be used to traverse the schema and reach any element. This can be done thru the use of the following path elements:

- ".": the element itself;
- "..": the parent element;
- "\*": the element's first child;
- "\*<name>": the elements child matching the given <name>.

**Table 11 DFDL core properties compatibility**

Property name	Short Description	DFDL4S Compliance	Supported values
<i>Properties Common to both Content and Framing</i>			
byteOrder	This property applies to all types with representation binary. Valid values 'bigEndian', 'littleEndian'.	C	bigEndian littleEndian
bitOrder	The bit order is the correspondence of a bit's numeric significance to the bit position (1 to 8) within the byte. Valid values 'mostSignificantBitFirst', 'leastSignificantBitFirst'.	PC	mostSignificant BitFirst
encoding	Values are one of: IANA charset name; CCSID; DFDL standard encoding name; implementation-specific encoding name.	PC	UTF-8 UTF-16 ISO-8859-1

Property name	Short Description	DFDL4S Compliance	Supported values
utf16Width	Specifies whether the encoding 'UTF-16' should be treated as a fixed or variable width encoding.	PC	variable
ignoreCase	Whether mixed case data is accepted when matching delimiters and data values on input.	NC	
encodingErrorPolicy	This property provides control of how decoding and encoding errors are handled when converting the data to text, or text to data.	PC	error
<i>Common Framing, Position, and Length</i>			
alignment	A non-negative number that gives the alignment required for the beginning of the item	PC	implicit
alignmentUnits	Scales the alignment so alignment can be specified in either units of bits or units of bytes.	NC	
fillByte	Used on unparsing to fill empty space such as between two aligned elements.	PC	0
leadingSkip	A non-negative number of bytes or bits to skip before alignment is applied.	PC	0
trailingSkip	A non-negative number of bytes or bits to skip after the element, but before considering the alignment of the next element.	PC	0

Property name	Short Description	DFDL4S Compliance	Supported values
<code>initiator</code>	Specifies a whitespace separated list of alternative literal strings one of which marks the beginning of the element or group of elements.	PC	""
<code>terminator</code>	Specifies a whitespace separated list of alternative text strings that one of which marks the end of an element or group of elements.	PC	""
<code>emptyValueDelimiterPolicy</code>	Indicates that when an element in the data stream is empty, an initiator (if one is defined), a terminator (if one is defined), both an initiator and a terminator (if defined) or neither must be present. Valid values are 'none', 'initiator', 'terminator' or 'both'	NC	
<code>documentFinalTerminator CanBeMissing</code>	When this property is true, then when an element is the last element in the data stream, then on parsing, it is not an error if the terminator is not found. Valid values are 'yes', 'no'.	NC	
<code>lengthKind</code>	Controls how the content length of the component is determined. Valid values are: 'explicit', 'delimited', 'prefixed', 'implicit', 'pattern', 'endOfParent'	PC	<code>explicit</code>



Property name	Short Description	DFDL4S Compliance	Supported values
lengthUnits	Specifies the units to be used whenever a length is being used to extract or write data. Applicable when dfdl:lengthKind is 'explicit', 'implicit' (for xs:string and xs:hexBinary) or 'prefixed'. Valid values 'bytes', 'characters', 'bits'.	PC	bits bytes
length	Specifies the length of this element in units that are specified by the dfdl:lengthUnits property. This property can be computed by way of an expression which returns a non-negative integer. The expression must not contain forward references to elements which have not yet been processed. Only used when lengthKind is 'explicit'.	C	Non-negative Integer or DFDL Expression
prefixIncludesPrefixLength	Whether the length given by a prefix includes the length of the prefix as well as the length of the content region. Valid values are 'yes', 'no'.	NC	
prefixLengthType	This type specifies the representation of the length prefix, which is in the PrefixLength region.	NC	
lengthPattern	Specifies a regular expression that, on parsing, is executed against the datastream to determine the length of the element. Only used when lengthKind is 'pattern'.	NC	
<i>Simple Type Content</i>			

Property name	Short Description	DFDL4S Compliance	Supported values
representation	The permitted representation properties for each logical type. Valid values are 'text' and 'binary' and are dependent on logical type.	PC	binary
textPadKind	Indicates whether to pad the data value on unparsing.	N/A	
textTrimKind	Indicates whether to trim data on parsing.	N/A	
textOutputMinLength	Specifies the minimum content length during unparsing for simple types	N/A	
escapeSchemeRef	A named, reusable, escape scheme is used by referring to its name from a <code>dfdl:escapeSchemeRef</code> property on an element.	PC	""
escapeKind	The type of escape mechanism defined in the escape scheme. Valid values 'escapeCharacter', 'escapeBlock'.	N/A	
escapeCharacter	DFDL String Literal or DFDL Expression. Specifies one character that escapes the subsequent character.	N/A	
escapeBlockStart	The string of characters that denotes the beginning of a sequence of characters escaped by a pair of escape strings.	N/A	
escapeBlockEnd	The string of characters that denotes the end of a sequence of characters escaped by a pair of escape strings.	N/A	

Property name	Short Description	DFDL4S Compliance	Supported values
escapeEscapeCharacter	Specifies one character that escapes an immediately following dfdl:escapeCharacter or first character of dfdl:escapeBlockEnd.	N/A	
extraEscapedCharacters	A whitespace separated list of single characters that must be escaped in addition to the in-scope delimiters	N/A	
generateEscapeBlock	Controls when escaping is used on unparsing. Valid values 'always', 'whenNeeded'.	N/A	
textBidi	Indicates the text content of the element is bidirectional.	N/A	
textBidiOrdering	Defines how bidirectional text is stored in memory.	N/A	
textBidiOrientation	Indicates how the text should be displayed.	N/A	
textBidiSymmetric	Defines whether characters such as < ( [ { that have a symmetric character with an opposite directional meaning: > ) ] } should be swapped	N/A	
textBidiShaped	Defines whether characters should be shaped on unparsing.	N/A	
textBidiNumeralShapes	Defines on unparsing whether logical numbers with text representation should have Arabic shapes.	N/A	
textStringJustification	Valid values 'left', 'right', 'center'	N/A	

Property name	Short Description	DFDL4S Compliance	Supported values
<code>textStringPadCharacter</code>	The value that is used when padding or trimming string elements.	N/A	
<code>truncateSpecifiedLengthString</code>	Used on unparsing only	N/A	
<code>decimalSigned</code>	Indicates whether an <code>xs:decimal</code> element is signed.	N/A	
<code>textNumberRep</code>	Valid values are 'standard', 'zoned'	N/A	
<code>textNumberJustification</code>	Controls how the data is padded or trimmed on parsing and unparsing.	N/A	
<code>textNumberPadCharacter</code>	The value that is used when padding or trimming number elements.	N/A	
<code>textNumberPattern</code>	Defines the ICU-like pattern that describes the format of the text number.	N/A	
<code>textNumberRounding</code>	Specifies how rounding is controlled during unparsing.	N/A	
<code>textNumberRoundingMode</code>	Specifies how rounding occurs during unparsing.	N/A	
<code>textNumberRoundingIncrement</code>	Specifies the rounding increment to use during unparsing.	N/A	
<code>textNumberCheckPolicy</code>	Indicates how lenient to be when parsing against the pattern.	N/A	
<code>textStandardDecimalSeparator</code>	Defines the whitespace separated list of single characters that will appear (individually) in the data as the decimal separator.	N/A	

Property name	Short Description	DFDL4S Compliance	Supported values
textStandardGroupingSeparator	Defines the single character that will appear in the data as the grouping separator.	N/A	
textStandardExponentRep	Defines the actual character(s) that will appear in the data as the exponent indicator.	N/A	
textStandardInfinityRep	The value used to represent infinity.	N/A	
textStandardNaNRep	The value used to represent NaN.	N/A	
textStandardZeroRep	The whitespace separated list of alternative literal strings that are equivalent to zero.	N/A	
textStandardBase	Indicates the number base.	N/A	
textZonedSignStyle	Specifies the code points that are used to overpunch the sign nibble	N/A	
binaryNumberRep	Allowable values for each number type.	PC	binary
binaryDecimalVirtualPoint	An integer that represents the position of an implied decimal point within a number	PC	0
binaryPackedSignCodes	A whitespace separated string giving the hex sign nibbles to use for a positive value, a negative value, an unsigned value, and zero.	NC	
binaryNumberCheckPolicy	Indicates how lenient to be when parsing binary numbers.	NC	
binaryFloatRep	This specifies the encoding method for the float and double.	PC	ieee

Property name	Short Description	DFDL4S Compliance	Supported values
textBooleanTrueRep	A whitespace separated list of representations to be used for 'true'.	N/A	
textBooleanFalseRep	A whitespace separated list of representations to be used for 'false'.	N/A	
textBooleanJustification	Controls how the data is padded or trimmed on parsing and unparsing.	N/A	
textBooleanPadCharacter	The value that is used when padding or trimming boolean elements.	N/A	
binaryBooleanTrueRep	This value gives the representation to be used for 'true'	PC	1
binaryBooleanFalseRep	This value gives the representation to be used for 'false'	PC	0
calendarPattern	Defines the ICU pattern that describes the format of the calendar.	NC	
calendarPatternKind	Valid values 'explicit', 'implicit'	NC	
calendarCheckPolicy	Indicates how lenient to be when parsing against the pattern.	NC	
calendarTimeZone	This property provides the time zone that will be assumed if no time zone explicitly occurs in the data.	NC	
calendarObserveDST	Whether the time zone given in <code>dfdl:calendarTimeZone</code> observes daylight savings time.	NC	
calendarFirstDayOfWeek	The day of the week upon which a new week is considered to start.	NC	

Property name	Short Description	DFDL4S Compliance	Supported values
calendarDaysInFirstWeek	Specify the number of days of the new year that must fall within the first week.	NC	
calendarCenturyStart	This property determines on parsing how two-digit years are interpreted.	NC	
calendarLanguage	The language that is used when the pattern produces a presentation in text.	NC	
textCalendarJustification	Controls how the data is padded or trimmed on parsing and unparsing.	N/A	
textCalendarPadCharacter	The value that is used when padding or trimming calendar elements.	N/A	
binaryCalendarRep	Categorization of the encoding used for dates.	NC	
binaryCalendarEpoch	The epoch from which to calculate dates and times.	NC	
nilKind	Used when XSDL nillable is 'true'	N/A	
nilValue	Specifies the text strings that are the possible literal or logical nil values of the element.	N/A	
nilValueDelimiterPolicy	Indicates that when the value nil is represented, an initiator (if one is defined), a terminator (if one is defined), both an initiator and a terminator (if defined) or neither must be present.	N/A	
useNilForDefault	Valid values are 'yes', 'no'	N/A	
<i>Sequence Groups</i>			
sequenceKind	Valid values are 'ordered', 'unordered'	PC	ordered

Property name	Short Description	DFDL4S Compliance	Supported values
<code>initiatedContent</code>	Valid values are 'yes', 'no'	PC	no
<code>separator</code>	Specifies a whitespace separated list of alternative literal strings that are the possible separators for the sequence.	PC	""
<code>separatorPosition</code>	Valid values 'infix', 'prefix', 'postfix'	NC	
<code>separatorSuppressionPolicy</code>	Controls the circumstances when separators are expected in the data when parsing, or generated when unparsing, if an optional element occurrence or a group has a zero-length representation.	NC	
<code>floating</code>	Whether the occurrences of an element in an ordered sequence can appear out-of-order in the representation.	PC	no
<code>hiddenGroupRef</code>	Elements within this model group will not be added to the Infoset, and are called hidden elements.	NC	
<code>discriminator</code>	This property allows the resolution of a point of uncertainty by choosing the specific alternatives based on the evaluation of a boolean expression denominated <i>test</i> . The <i>test</i> attribute of <code>dfdl:discriminator</code> defines an expression that is evaluated as boolean. If it succeeds the element where the discriminator is defined is taken as part of the DFDL model.	PC (only a subset of DFDL expression language is supported)	DFDL Expression



Property name	Short Description	DFDL4S Compliance	Supported values
<i>Choice Groups</i>			
choiceLengthKind	Valid values are 'implicit' and 'explicit'.  'implicit' means the branches of the choice are not filled, so the ChoiceContent region is variable length depending on which branch appears.  'explicit' means that the branches of the choice are always filled to the fixed length specified by dfdl:choiceLength, so the ChoiceContent region is fixed length regardless of which branch appears.	C	implicit
choiceLength	Specifies the length of the choice in bytes.	NC	
initiatedContent	When 'yes' indicates that all the branches of the choice are initiated.	NC	
choiceDispatchKey	A DFDL Expression discriminating one of the branches of a choice. The parser then goes straight to that branch, ignoring consideration of any other choice branches.	NC	
choiceBranchKey	This literal provides an alternate way to discriminate a choice to a branch.	NC	
<i>Array elements and optional elements</i>			
occursCountKind	Specifies how the actual number of occurrences is to be established. Valid values 'fixed', 'expression', 'parsed', 'implicit' and 'stopValue'.	PC	fixed expression

Property name	Short Description	DFDL4S Compliance	Supported values
occursCount	Specifies the number of occurrences of the element.	NC	
occursStopValue	A whitespace separated list of logical values that specify the alternative logical stop values for the element.	NC	
<i>Calculated Values</i>			
inputValueCalc	An expression that calculates the value of the element when parsing.	NC	
outputValueCalc	An expression that calculates the value of the current element when unparsing.	NC	

End of Document